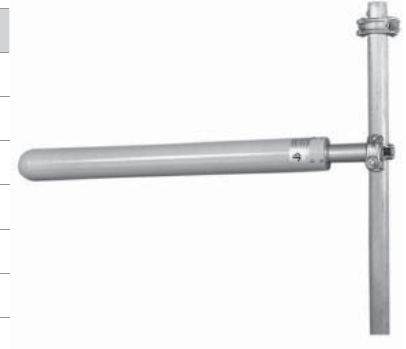


7360010

Single Band | Shrouded Yagi | V / H-Pol | 27° | 17.0 dBi

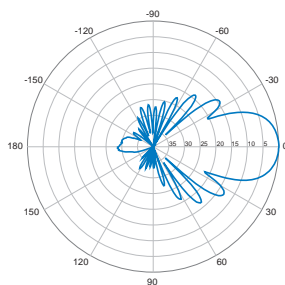
- Shrouded Yagi antenna for Links in the 2.1-2.3 GHz band
- All elements enclosed in a weather resistant, glassfibre shroud
- Able to provide consistent, reliable performance in all weather conditions

Electrical Characteristics	
Frequency Band	2100-2300 MHz
Polarization	Vertical or Horizontal
Horizontal Beamwidth	27°
Vertical Beamwidth	26°
Gain	17.0 dBi
Impedance	50Ω
VSWR	<1.5:1 (<1.3:1 typ.)
Front-to-Back Ratio	> 20 dB
Power Rating	100 W
Lightning Protection	DC Grounded
Connector(s)	N-Female

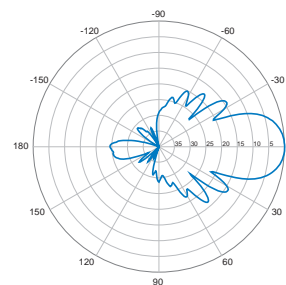


Mechanical Characteristics		
Materials	Shroud	GRP
	Radiating Assembly	Brass
	Mounting Section (diameter)	Aluminum, 50 mm (1.9 in) diameter
Dimensions (Length)	1090 mm	42.9 in
Weight without Mounting Bracket	1.6 kg	3.5 lbs
Wind Load (160 km/hr or 100 mph)	100 N	22.5 lbf
Mounting Options		Part Number
Mounting brackets are ordered separately.		
Mounting Bracket	3202078/68	
Alternate Mounting Bracket	0300064/00 + U-bolts to match mounting pipe diameter	

2100-2300 MHz



Horizontal



Vertical

Quoted performance parameters are provided to offer typical or range values only and may vary as a result of normal manufacturing and operational conditions. Extreme operational conditions and/or stress on structural supports is beyond our control. Such conditions may result in damage to this product. Improvements to product may be made without notice.