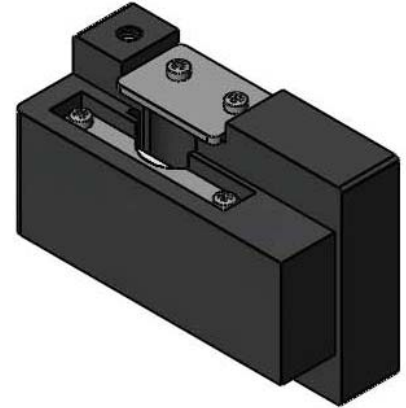


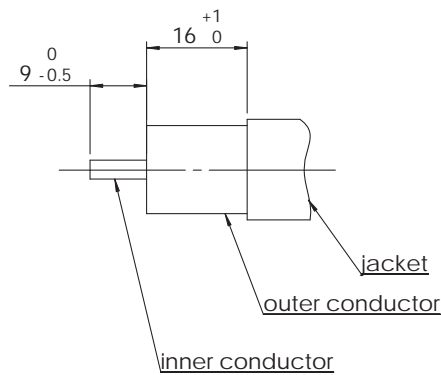
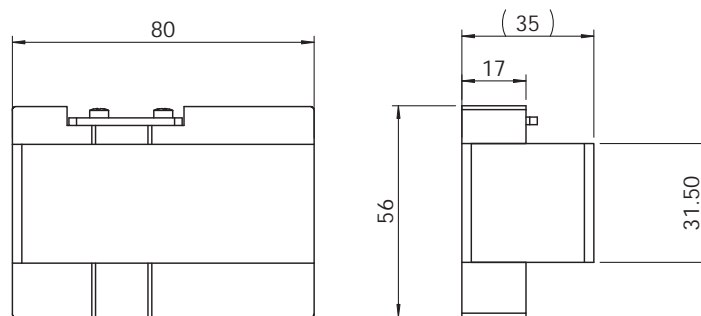
AAS-CTT-12-HF-F

Trimming Tool for 1/2" Superflexible Coaxial Cable

Material Characteristics	Material	Plating
Blade	Steel	---
Dowel	Brass	Nickel > 5µm
Plate	SUS304	---
Blade Base	ABS	---
Environmental Characteristics		
Temperature Range	-40° C to +85° C (-40° F to +185° F)	
RoHS Compliant	Yes	
Accessories	Model Number	
Accessories are ordered separately. See options below.		
Spare Blades	ASB-TT12-HF-F	



Dimensions in (mm)



Trimming dimension

Quoted performance parameters are provided to offer typical, peak or range values only and may vary as a result of normal testing, manufacturing and operational conditions. Extreme operational conditions and/or stress on structural supports is beyond our control. Such conditions may result in damage to this product. Improvements to products may be made without notice.