

## TTA-CBG100H

700 MHz | Twin TMA | AISG v2.0 | Fixed Gain

- 700 MHz, twin TMA, AISG v2.0, fixed gain
- Increases coverage and capacity
- Helps to minimize site acquisition issues
- Reduces the cost of network expansion



| Ordering Options                                | Model Number                       |
|-------------------------------------------------|------------------------------------|
| 7/16-DIN Female Connectors                      | TTA-CBG100H                        |
| 4.3/10 Female Connectors                        | TTA-CBG100H-43F                    |
| RF Characteristics                              |                                    |
| Downlink (TX) Path                              |                                    |
| Frequency Band                                  | 758-793 MHz                        |
| Insertion Loss (typical)                        | 0.35 dB                            |
| Return Loss                                     | ≥ 18 dB                            |
| Continuous Average Power (50 dBm)               | 100 W                              |
| Intermodulation (2x43 dBm TX carrier, BTS Port) | -116 dBm in RX band, ANT port      |
| Uplink (RX) Path                                |                                    |
| Frequency Band                                  | 703-738 MHz                        |
| Gain (nominal)                                  | 12 dB                              |
| Noise Figure (typical)                          | 1.3 dB                             |
| Insertion Loss, Bypass Mode (typical)           | 1.5 dB                             |
| Return Loss, Bypass Mode                        | ≥ 12 dB                            |
| Output IP3 (typical)                            | 25 dBm                             |
| Input Rejection at 698 MHz                      | > 25 dB                            |
| Power Supply and Alarm - AISG Mode              |                                    |
| Control Protocol                                | 3GPP/AISG v2.0                     |
| DC Supply Voltage                               | 9 to 30 V                          |
| Power Consumption                               | < 2 W                              |
| Environmental Characteristics                   |                                    |
| Operating Temperature Range                     | -40° to +65° C (-40° to +149° F)   |
| Operation                                       | ETS 300 019-1-4 Class 4.1E (2.1.2) |
| Storage                                         | ETS 300 019-1-1 Class 1.3E (2.1.4) |
| Transport                                       | ETS 300 019-1-2 Class 2.3 (2.1.4)  |
| Ingress Protection                              | IP67                               |
| EMC                                             | EN-301 489-23                      |
| Safety Standards                                | EN 60950                           |
| MTBF (minimum)                                  | 1.2 Mh/TMA                         |

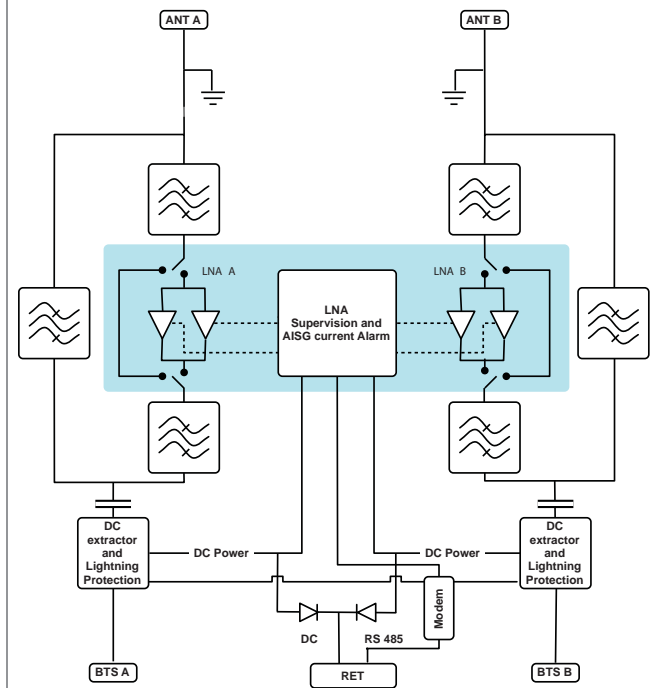
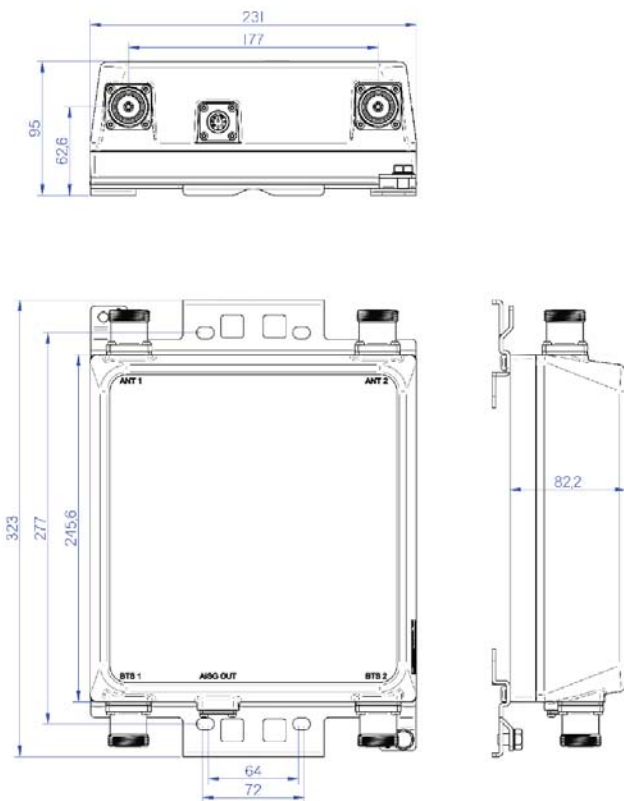


Quoted performance parameters are provided to offer typical or range values only and may vary as a result of normal manufacturing and operational conditions. Extreme operational conditions and/or stress on structural supports is beyond our control. Such conditions may result in damage to this product. Improvements to product may be made without notice.

## TTA-CBG100H

700 MHz | Twin TMA | AISG v2.0 | Fixed Gain

| Mechanical Characteristics             |      |                                                 |
|----------------------------------------|------|-------------------------------------------------|
| Dimensions - Length x Width x Depth    |      | 246 x 231 x 82 mm      9.7 x 9.1 x 3.2 in       |
| Gross Weight                           |      | 6.5 kg      14.3 lbs                            |
| Connectors (number, type)              | BTS  | 2 Connectors / 7/16-DIN Female or 4.3/10 Female |
|                                        | ANT  | 2 Connectors / 7/16-DIN Female or 4.3/10 Female |
|                                        | AISG | 1 Connectors / 8 pin circular / Female          |
| Color                                  |      | NCS 1502-R                                      |
| Mounting                               |      | Hose clamps, arbitrary orientation              |
| Dimensions (shows 7/16-DIN connectors) |      | Block Diagram                                   |



Quoted performance parameters are provided to offer typical or range values only and may vary as a result of normal manufacturing and operational conditions. Extreme operational conditions and/or stress on structural supports is beyond our control. Such conditions may result in damage to this product. Improvements to product may be made without notice.