

TTA-TB100x

700/800/900 MHz | Twin TMA | AISG v2.0 | Fixed Gain | Single Mode or Independent AISG

- 700/800/900 MHz, Twin TMA, AISG v2.0, Fixed Gain
- Single mode or independent AISG models available
- Available with 7/16-DIN or 4.3/10 connectors
- Increases coverage and capacity
- Helps to minimize site acquisition issues
- Reduces the cost of network expansion



Ordering Options	7/16-DIN Female Connectors	4.3/10 Female Connectors	
Single Mode AISG	TTA-TB100H	TTA-TB100H-43F	
Independent AISG	TTA-TB100N	TTA-TB100N-43F	
RF Characteristics			
Downlink (TX) Path	700 Band	800 Band	900 Band
Frequency Band	758-788 MHz	791-821 MHz	925-960 MHz
Insertion Loss (typical)	0.5 dB	0.5 dB	0.5 dB
Continuous Average Power (53 dBm)	200 W	200 W	200 W
Intermodulation (2x43 dBm TX carrier, BTS Port)	-117 dBm in RX band, ANT port	-117 dBm in RX band, ANT port	-117 dBm in RX band, ANT port
Uplink (RX) Path	700 Band	800 Band	900 Band
Frequency Band	703-733 MHz	832-862 MHz	880-915 MHz
Gain (nominal)	12 dB	12 dB	12 dB
Noise Figure (typical)	1.4 dB	1.4 dB	1.4 dB
Insertion Loss, Bypass Mode (typical)	2.2 dB	2.2 dB	2.2 dB
Output IP3 (typical)	25 dBm	25 dBm	25 dBm
Power Supply and Alarm - AISG Mode			
Control Protocol	3GPP/AISG v2.0		
DC Supply Voltage	24 V DC nominal (9 to 31 V DC)		
Power Consumption	< 4 W		
Environmental Characteristics			
Operating Temperature Range	-40° to +65° C (-40° to +149° F)		
Operation	ETS 300 019-1-4, Class 4.1E		
Storage	ETS 300 019-1-1, Class 1.2		
Ingress Protection	IP67		
EMC	EN 301 489-23		
Safety Standards	EN 60950		
MTBF (minimum)	1 Mh/TMA		



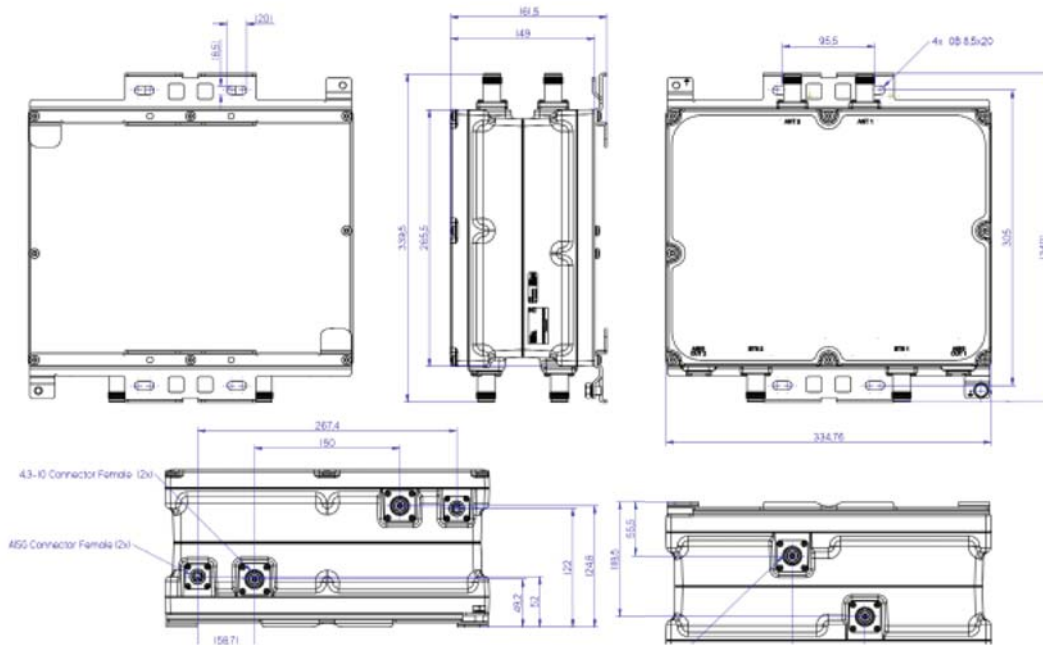
Quoted performance parameters are provided to offer typical, peak or range values only and may vary as a result of normal testing, manufacturing and operational conditions. Extreme operational conditions and/or stress on structural supports is beyond our control. Such conditions may result in damage to this product. Improvements to products may be made without notice.

TTA-TU110x

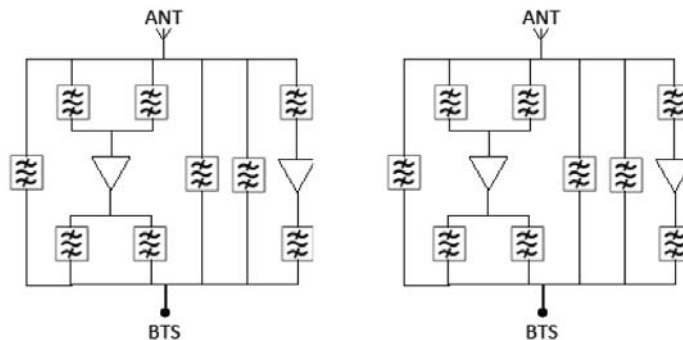
1800/2100/2600 MHz | Twin TMA | AISG v2.0 | Fixed Gain | Single Mode or Independent AISG

Mechanical Characteristics		
Dimensions - Length x Width x Depth		266 x 335 x 149 mm 13.2 x 10.5 x 5.9 in
Gross Weight		14.0 kg 30.9 lbs
Connectors (number, type)	BTS	2 Connectors / 7/16-DIN Female or 4.3/10 Female
	ANT	2 Connectors / 7/16-DIN Female or 4.3/10 Female
	Single Mode AISG Models	1 Connector / 8 pin circular / Female
	Independent AISG Models	2 Connectors / 8 pin circular / Female
Color		NCS 1502-R
Mounting		Hose clamps, arbitrary orientation

Dimensional Drawing



Block Diagram



Quoted performance parameters are provided to offer typical, peak or range values only and may vary as a result of normal testing, manufacturing and operational conditions. Extreme operational conditions and/or stress on structural supports is beyond our control. Such conditions may result in damage to this product. Improvements to products may be made without notice.