

# 300APTR-C-NC



TNC Male Right Angle for CNT-300 and 5D-FB braided cable, indoor application

## **OBSOLETE**

This product was discontinued on: July 17, 2018

### Replaced By:

300BPTR-C

TNC Male Right Angle for CNT-300 braided cable

## Product Classification

<b>Product Type</b>	Braided cable connector
<b>Product Brand</b>	CNT®

## General Specifications

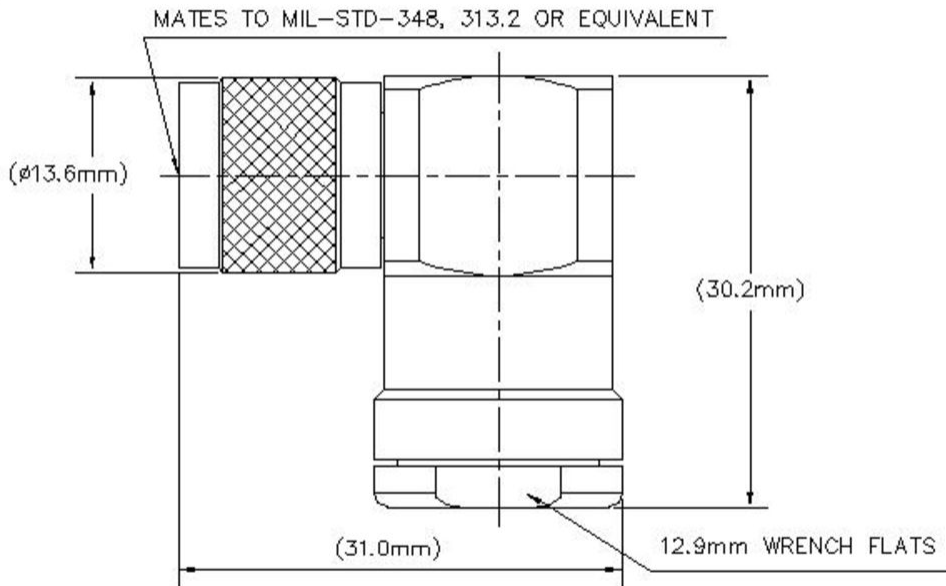
<b>Body Style</b>	Right angle
<b>Inner Contact Attachment Method</b>	Captivated
<b>Inner Contact Plating</b>	Gold
<b>Interface</b>	TNC Male
<b>Outer Contact Attachment Method</b>	Clamp
<b>Outer Contact Plating</b>	Trimetal

## Dimensions

<b>Height</b>	30.31 mm   1.193 in
<b>Width</b>	16.5 mm   0.65 in
<b>Length</b>	30.2 mm   1.189 in
<b>Nominal Size</b>	0.300 in

## Outline Drawing

# 300APTR-C-NC



## Electrical Specifications

<b>Insertion Loss, typical</b>	0.05 dB
<b>Average Power at Frequency</b>	360.0 W @ 900 MHz
<b>Cable Impedance</b>	50 ohm
<b>Connector Impedance</b>	50 ohm
<b>dc Test Voltage</b>	1500 V
<b>Inner Contact Resistance, maximum</b>	1.5 mOhm
<b>Insulation Resistance, minimum</b>	5000 MOhm
<b>Operating Frequency Band</b>	0 – 3000 MHz
<b>Outer Contact Resistance, maximum</b>	0.4 mOhm
<b>Peak Power, maximum</b>	5 kW
<b>RF Operating Voltage, maximum (vrms)</b>	500 V

# 300APTR-C-NC

---

## VSWR/Return Loss

Frequency Band	VSWR	Return Loss (dB)
0–500 MHz	1.065	30.05
500–1000 MHz	1.052	31.93
1000–2000 MHz	1.083	28
2000–3000 MHz	1.11	25.66

## Mechanical Specifications

Connector Retention Tensile Force	254 N   57.101 lbf
Connector Retention Torque	0.45 N-m   3.983 in lb
Coupling Nut Proof Torque	1.7 N-m   15.046 in lb
Coupling Nut Proof Torque Method	IEC 61169-17:9.3.6
Coupling Nut Retention Force	445 N   100.04 lbf
Coupling Nut Retention Force Method	IEC 61169-17:9.3.11
Interface Durability	500 cycles
Interface Durability Method	IEC 61169-17:9.5
Mechanical Shock Test Method	IEC 60068-2-27

## Environmental Specifications

Operating Temperature	-40 °C to +85 °C (-40 °F to +185 °F)
Storage Temperature	-65 °C to +125 °C (-85 °F to +257 °F)
Average Power, Ambient Temperature	40 °C   104 °F
Average Power, Inner Conductor Temperature	100 °C   212 °F
Vibration Test Method	IEC 60068-2-6

## Packaging and Weights

Weight, net	52.96 g   0.117 lb
-------------	--------------------

## Regulatory Compliance/Certifications

Agency	Classification
CHINA-ROHS	Below maximum concentration value
ISO 9001:2015	Designed, manufactured and/or distributed under this quality management system
REACH-SVHC	Compliant as per SVHC revision on <a href="http://www.commscope.com/ProductCompliance">www.commscope.com/ProductCompliance</a>
ROHS	Compliant

# 300APTR-C-NC

---



## \* Footnotes

**Insertion Loss, typical**  $0.05\sqrt{\text{freq (GHz)}}$  (not applicable for elliptical waveguide)