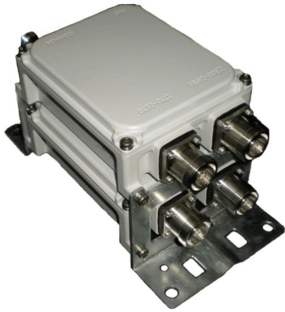


# CBC1726-DH-2X | E11F02P50

---



Twin Diplexer, 1800-2100//2300-2600 MHz, dc bypass on 2300-2600 ports

## Product Classification

**Product Type** Diplexer

## General Specifications

**Product Family** CBC1726

**Color** Gray

**Common Port Label** COMM

**Modularity** 2-Twin

**Mounting** Pole | Wall

**Mounting Pipe Hardware** Band clamps (2)

**RF Connector Interface** 7-16 DIN Female

**RF Connector Interface Body Style** Medium neck

## Dimensions

**Height** 152.4 mm | 6 in

**Width** 123 mm | 4.843 in

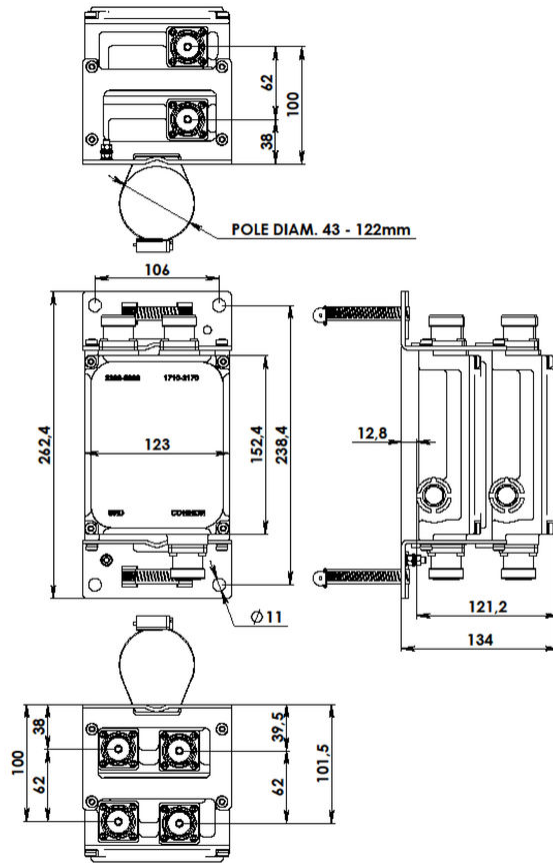
**Depth** 121 mm | 4.764 in

**Ground Screw Diameter** 6 mm | 0.236 in

**Mounting Pipe Diameter Range** 42.6–122 mm

## Outline Drawing

# CBC1726-DH-2X | E11F02P50



## Electrical Specifications

|                                |   |
|--------------------------------|---|
| <b>Impedance</b>               | 50 ohm  |
| <b>License Band, Band Pass</b> | AWS 1700   DCS 1800   IMT 2100   IMT 2600   PCS 1900   TDD 1900   TDD 2000   TDD 2300   TDD 2600   WCS 2300 |

## Electrical Specifications, dc Power/Alarm

|  |                 |
|--|-----------------|
| <b>dc/AISG Pass-through, combiner</b>      | Branch 2        |
| <b>dc/AISG Pass-through, demultiplexer</b> | Branch 2        |
| <b>Lightning Surge Current</b>             | 3 kA            |
| <b>Lightning Surge Current Waveform</b>    | 10/350 waveform |

## Electrical Specifications

# CBC1726-DH-2X | E11F02P50

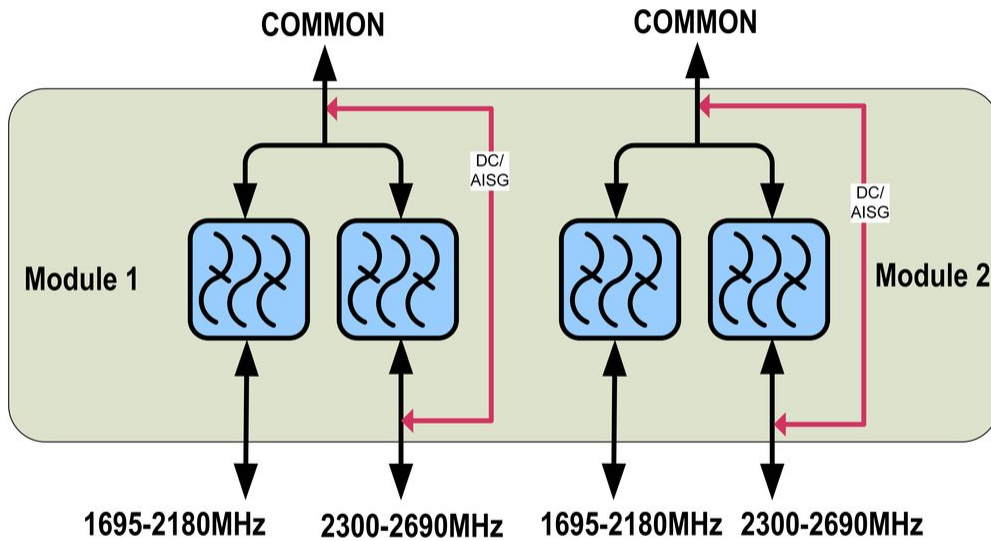
---

|                         |                       |                 |
|-------------------------|-----------------------|-----------------|
| <b>Sub-module</b>       | <b>1 2</b>            | <b>1 2</b>      |
| <b>Branch</b>           | 1                     | 2               |
| <b>Port Designation</b> | 1710-2170             | 2300-2690       |
| <b>License Band</b>     | [2, 6, 8, 13, 18, 19] | [9, 17, 20, 21] |

## Electrical Specifications, Band Pass

|                                       |                   |                   |
|---------------------------------------|-------------------|-------------------|
| <b>Frequency Range, MHz</b>           | <b>1710–2170</b>  | <b>2300–2690</b>  |
| <b>Insertion Loss, maximum, dB</b>    | 0.4               | 0.4               |
| <b>Insertion Loss, typical, dB</b>    | 0.3               | 0.35              |
| <b>Total Group Delay, maximum, ns</b> | 30                | 30                |
| <b>Return Loss, minimum, dB</b>       | 18                | 18                |
| <b>Return Loss, typical, dB</b>       | 20                | 20                |
| <b>Isolation, minimum, dB</b>         | 50                | 50                |
| <b>Input Power, PEP, maximum, W</b>   | 3500              | 3500              |
| <b>3rd Order PIM, typical, dBc</b>    | -155              | -157              |
| <b>3rd Order PIM Test Method</b>      | 2 x 20 W CW tones | 2 x 20 W CW tones |

## Block Diagram



## Environmental Specifications

|                                       |                                      |
|---------------------------------------|--------------------------------------|
| <b>Operating Temperature</b>          | -40 °C to +60 °C (-40 °F to +140 °F) |
| <b>Relative Humidity</b>              | Up to 100%                           |
| <b>Corrosion Test Method</b>          | IEC 60068-2-11, 30 days              |
| <b>Ingress Protection Test Method</b> | IEC 60529:2001, IP67                 |

## Packaging and Weights

|                    |                   |
|--------------------|-------------------|
| <b>Included</b>    | Mounting hardware |
| <b>Volume</b>      | 2.3 L             |
| <b>Weight, net</b> | 5 kg   11.023 lb  |