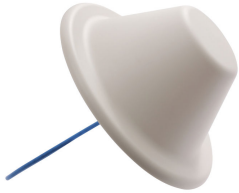


CELLMAX-O-CPUSEI



Cell-Max™ Omni In-building Antenna, 698–960 MHz and 1710–2700 MHz

Product Classification

Product Type	In-building antenna
Product Brand	Cell-Max™

General Specifications

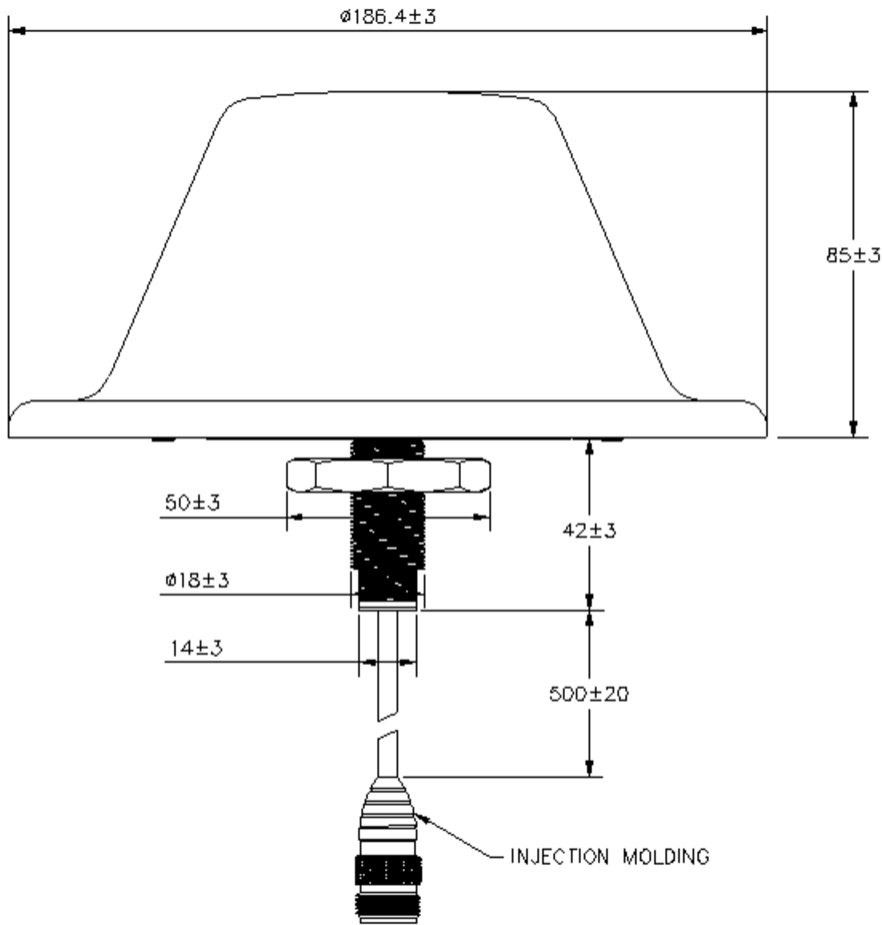
Application	Indoor
Antenna Type	Omni
Antenna Array Characteristic	SISO
Polarization	Vertical
Color	White
Mounting	Thru-hole ceiling mount (optional)
Number of Ports	1
Pigtail Cable	670-141SXE, plenum rated
Radome Material	ABS
RF Connector Interface	N Female

Dimensions

Height	85 mm 3.346 in
Pigtail Length	500 mm 19.685 in
Outer Diameter	186 mm 7.323 in

CELLMAX-O-CPUSEI

Outline Drawing



Electrical Specifications

Electrical Note	PIM specifications are less than or equal to the stated value
Impedance	50 ohm
Operating Frequency Band	1710 – 2700 MHz 698 – 960 MHz

Electrical Specifications

Frequency Band, MHz	698–800	800–960	1710–2700
Gain, dBi	2	2	5
Beamwidth, Horizontal, degrees	360	360	360
VSWR Return loss, dB	1.8 10.9	1.5 14.0	1.5 14.0
PIM, 3rd Order, 2 x 20 W, dBc	-140	-140	-140

CELLMAX-O-CPUSEI

Input Power per Port, maximum, watts 50 50 50

Environmental Specifications

Operating Temperature -40 °C to +60 °C (-40 °F to +140 °F)
Relative Humidity Up to 100%

Packaging and Weights

Height, packed 135 mm | 5.315 in
Width, packed 195 mm | 7.677 in
Length, packed 195 mm | 7.677 in
Packaging quantity 1
Weight, gross 0.4 kg | 0.882 lb
Weight, net 0.3 kg | 0.661 lb

Regulatory Compliance/Certifications

Agency	Classification
CHINA-ROHS	Below maximum concentration value
ISO 9001:2015	Designed, manufactured and/or distributed under this quality management system
REACH-SVHC	Compliant as per SVHC revision on www.commscope.com/ProductCompliance
ROHS	Compliant

