

DDPX1900-DCS1 | E11F01P75

Dual Duplexer, 1900



OBSOLETE

This product was discontinued on: February 20, 2019

Product Classification

Product Type Duplexer

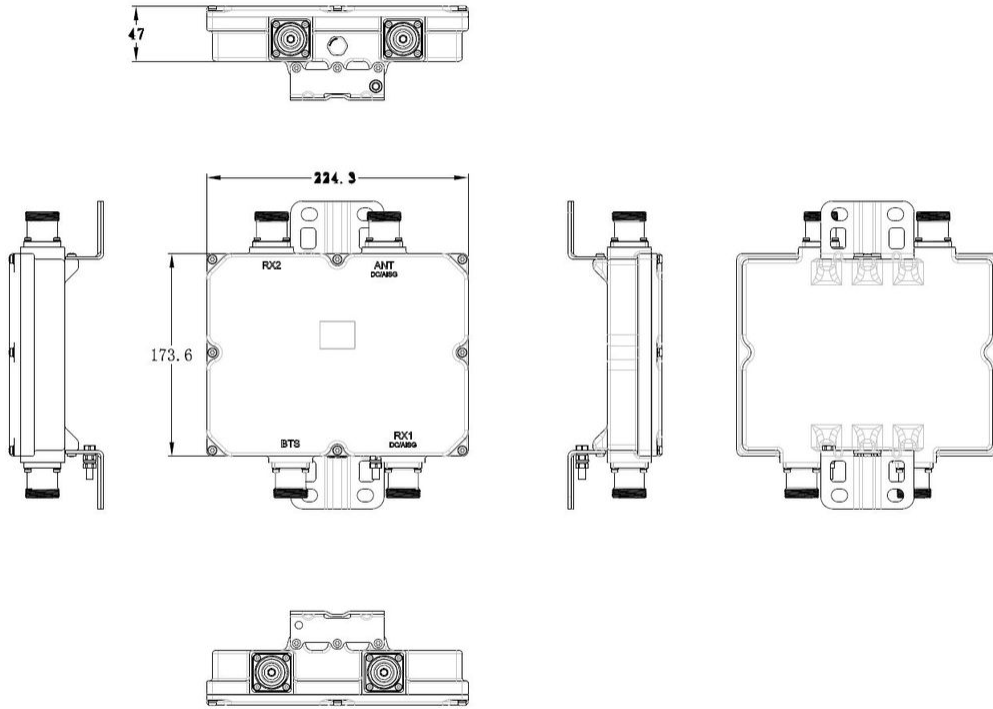
General Specifications

Antenna Interface	7-16 DIN Female
Application	Indoor Outdoor
BTS Interface	7-16 DIN Female
Color	Gray
Connector Interface Style	Medium neck
Mounting Pipe Hardware	Band clamps
Rx Interface	7-16 DIN Female
Rx2 Interface	7-16 DIN Female

Dimensions

Height	175 mm 6.89 in
Width	225 mm 8.858 in
Depth	50 mm 1.969 in
Ground Screw Diameter	6 mm 0.236 in

Outline Drawing



Electrical Specifications

3rd Order IMD Test Method	Two +43 dBm carriers
3rd Order IMD, maximum	-150 dBc
dc Pass-through	Rx
License Band	PCS
Lightning Surge Current	10 kA
Lightning Surge Current Waveform	8/20 waveform

Electrical Specifications, Rx (Uplink)

Bandwidth	60 MHz
Frequency Band	1850 – 1910 MHz
Group Delay Variation at Frequency, maximum	20 ns @ 5.00 MHz

DDPX1900-DCS1 | E11F01P75

Insertion Loss, maximum	0.7 dB
Insertion Loss, typical	0.4 dB
Return Loss, minimum	20 dB
Total Group Delay, maximum	60 ns
Tx Band Rejection	80 dB

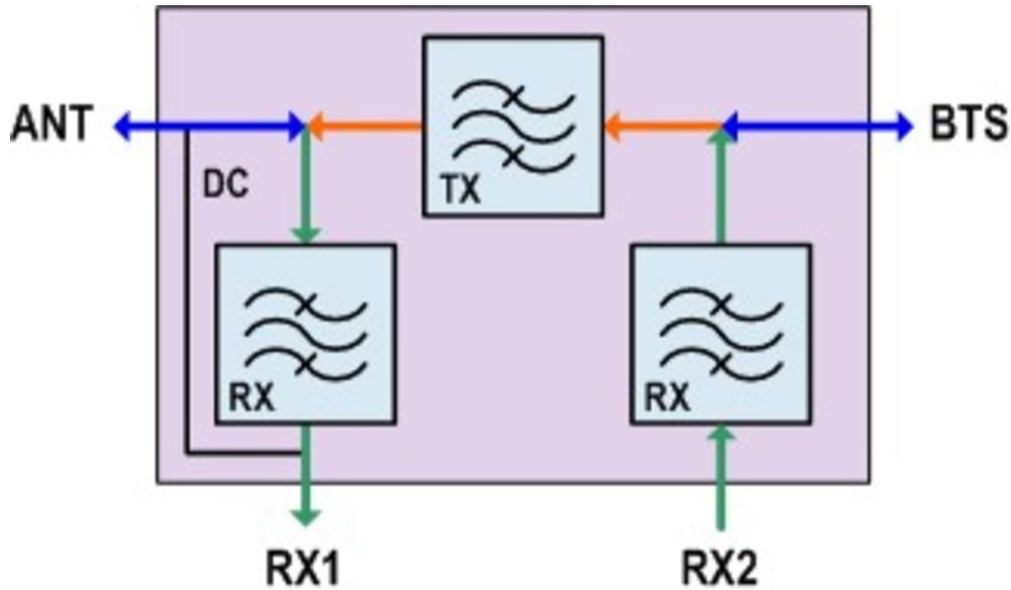
Electrical Specifications 2, Rx (Uplink)

Bandwidth	60 MHz
Frequency Band	1850 – 1910 MHz
Group Delay Variation at Frequency, maximum	20 ns @ 5.00 MHz
Total Group Delay, maximum	60 ns
Tx Band Rejection	80 dB
Insertion Loss, maximum	0.7 dB
Insertion Loss, typical	0.4 dB
Return Loss, minimum	20 dB

Electrical Specifications, Tx (Downlink)

Bandwidth	60 MHz
Frequency Band	1930 – 1990 MHz
Group Delay Variation at Frequency, maximum	20 ns @ 5.00 MHz
Input Power, PEP, maximum	3000 W
Input Power, RMS, maximum	300 W
Rx Band Rejection	60 dB
Total Group Delay, maximum	60 ns
Insertion Loss, maximum	0.5 dB
Insertion Loss, typical	0.3 dB
Return Loss, minimum	20 dB

Block Diagram



Environmental Specifications

Operating Temperature	-40 °C to +65 °C (-40 °F to +149 °F)
Relative Humidity	5%–100%
Ingress Protection Test Method	IEC 60529:2001, IP67

Packaging and Weights

Included	Mounting hardware
Weight, without mounting hardware	2.7 kg 5.952 lb