

# DDPX850-DCS1 | E11F01P76



Dual Duplexer, 850

## OBSOLETE

This product was discontinued on: December 1, 2019

## Product Classification

**Product Type** Duplexer

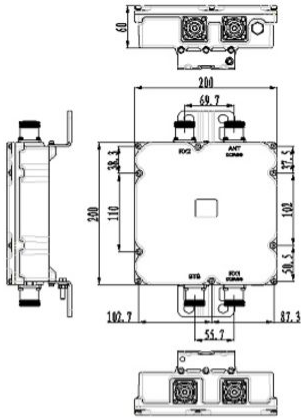
## General Specifications

<b>Antenna Interface</b>	7-16 DIN Female
<b>Application</b>	Indoor   Outdoor
<b>BTS Interface</b>	7-16 DIN Female
<b>Color</b>	Gray
<b>Connector Interface Style</b>	Medium neck
<b>Mounting Pipe Hardware</b>	Band clamps
<b>Rx Interface</b>	7-16 DIN Female
<b>Rx2 Interface</b>	7-16 DIN Female

## Dimensions

<b>Height</b>	200 mm   7.874 in
<b>Width</b>	200 mm   7.874 in
<b>Depth</b>	60 mm   2.362 in
<b>Ground Screw Diameter</b>	6 mm   0.236 in

## Outline Drawing



## Electrical Specifications

<b>3rd Order IMD Test Method</b>	Two +43 dBm carriers
<b>3rd Order IMD, maximum</b>	-150 dBc
<b>dc Pass-through</b>	Rx
<b>License Band</b>	Cellular
<b>Lightning Surge Current</b>	10 kA
<b>Lightning Surge Current Waveform</b>	8/20 waveform

## Electrical Specifications, Rx (Uplink)

<b>Bandwidth</b>	25 MHz
<b>Frequency Band</b>	824 – 849 MHz

# DDPX850-DCS1 | E11F01P76

---

<b>Group Delay Variation at Frequency, maximum</b>	20 ns @ 5.00 MHz
<b>Insertion Loss, maximum</b>	0.7 dB
<b>Insertion Loss, typical</b>	0.4 dB
<b>Return Loss, minimum</b>	20 dB
<b>Total Group Delay, maximum</b>	60 ns
<b>Tx Band Rejection</b>	80 dB

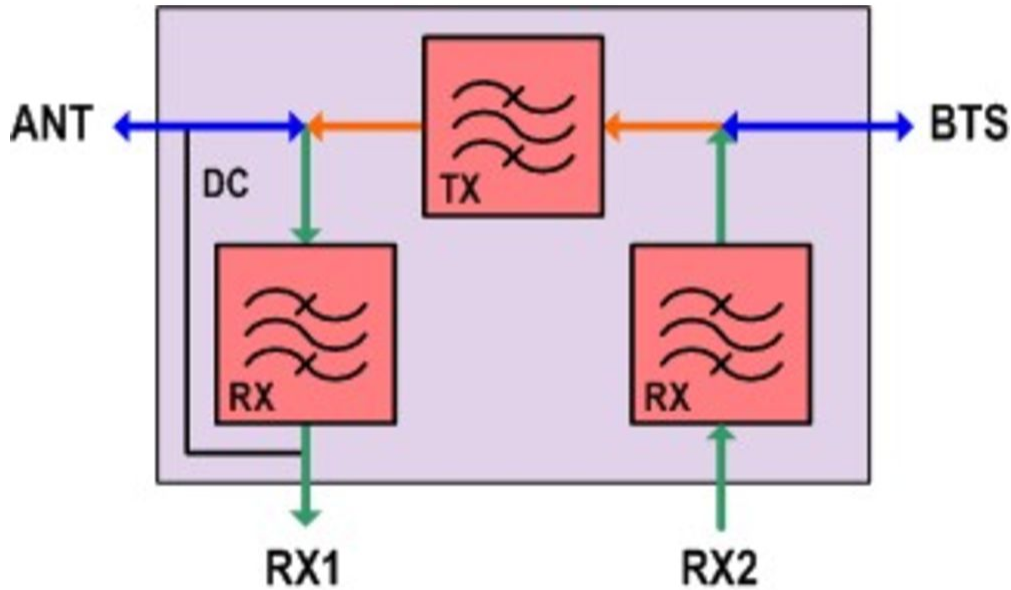
## Electrical Specifications 2, Rx (Uplink)

<b>Bandwidth</b>	25 MHz
<b>Frequency Band</b>	824 – 849 MHz
<b>Group Delay Variation at Frequency, maximum</b>	20 ns @ 5.00 MHz
<b>Total Group Delay, maximum</b>	60 ns
<b>Tx Band Rejection</b>	80 dB
<b>Insertion Loss, maximum</b>	0.7 dB
<b>Insertion Loss, typical</b>	0.4 dB
<b>Return Loss, minimum</b>	20 dB

## Electrical Specifications, Tx (Downlink)

<b>Bandwidth</b>	25 MHz
<b>Frequency Band</b>	869 – 894 MHz
<b>Group Delay Variation at Frequency, maximum</b>	20 ns @ 5.00 MHz
<b>Input Power, PEP, maximum</b>	5000 W
<b>Input Power, RMS, maximum</b>	500 W
<b>Rx Band Rejection</b>	60 dB
<b>Total Group Delay, maximum</b>	60 ns
<b>Insertion Loss, maximum</b>	0.5 dB
<b>Insertion Loss, typical</b>	0.3 dB
<b>Return Loss, minimum</b>	20 dB

## Block Diagram



## Environmental Specifications

<b>Operating Temperature</b>	-40 °C to +65 °C (-40 °F to +149 °F)
<b>Relative Humidity</b>	5%–100%
<b>Ingress Protection Test Method</b>	IEC 60529:2001, IP67

## Packaging and Weights

<b>Included</b>	Mounting hardware
<b>Weight, without mounting hardware</b>	3.3 kg   7.275 lb