

# TA-DMHF

---



7-16 Male to 4.3-10 Female Low-PIM Adapter

## Product Classification

**Product Type** Adapter

## General Specifications

**Body Style** Straight

**Inner Contact Plating** Silver

**Interface** 7-16 DIN Male

**Interface 2** 4.3-10 Female

**Mounting Angle** Straight

**Outer Contact Plating** Trimetal

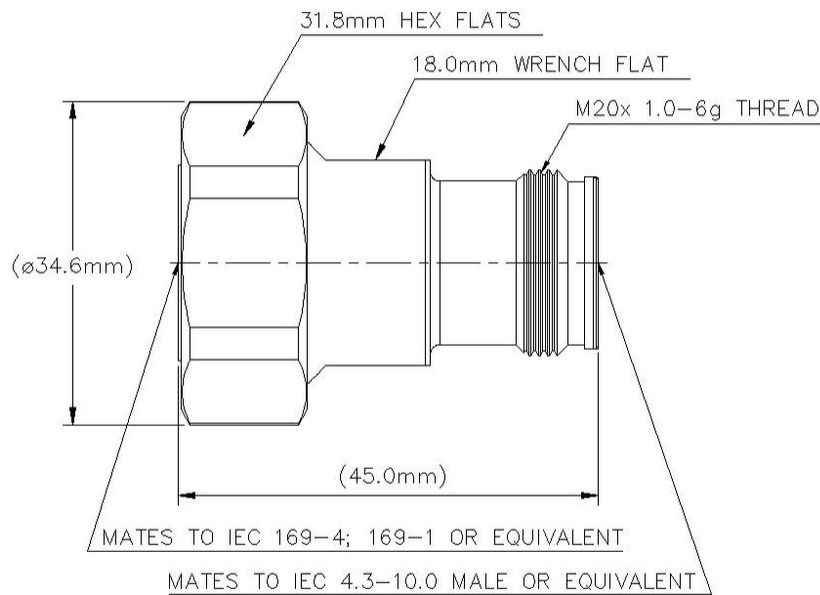
## Dimensions

**Length** 45 mm | 1.772 in

**Diameter** 34.6 mm | 1.362 in

# TA-DMHF

## Outline Drawing



## Electrical Specifications

<b>3rd Order IMD at Frequency</b>	-163 dBc @ 1800 MHz
<b>3rd Order IMD Test Method</b>	Two +43 dBm carriers
<b>Connector Impedance</b>	50 ohm
<b>dc Test Voltage</b>	2500 V
<b>Inner Contact Resistance, maximum</b>	1 mOhm
<b>Insulation Resistance, minimum</b>	5000 MOhm
<b>Operating Frequency Band</b>	0 – 6000 MHz
<b>Outer Contact Resistance, maximum</b>	1 mOhm

# TA-DMHF

---

## VSWR/Return Loss

Frequency Band	VSWR	Return Loss (dB)
0–4000 MHz	1.06	32
4000–6000 MHz	1.09	28

## Mechanical Specifications

<b>Coupling Nut Proof Torque</b>	35 N-m   309.776 in lb
<b>Coupling Nut Proof Torque Method</b>	IEC 61169-4:9.3.6
<b>Coupling Nut Retention Force</b>	1000 N   224.809 lbf
<b>Coupling Nut Retention Force Method</b>	IEC 61169-4:9.3.11
<b>Interface Durability</b>	100 cycles
<b>Mechanical Shock Test Method</b>	IEC 60068-2-27

## Environmental Specifications

<b>Operating Temperature</b>	-55 °C to +85 °C (-67 °F to +185 °F)
<b>Storage Temperature</b>	-65 °C to +125 °C (-85 °F to +257 °F)
<b>Average Power, Ambient Temperature</b>	40 °C   104 °F
<b>Average Power, Inner Conductor Temperature</b>	100 °C   212 °F
<b>Climatic Sequence Test Method</b>	IEC 60068-1
<b>Corrosion Test Method</b>	IEC 60068-2-11
<b>Damp Heat Steady State Test Method</b>	IEC 60068-2-3
<b>Thermal Shock Test Method</b>	IEC 60068-2-14
<b>Vibration Test Method</b>	IEC 60068-2-6

## Packaging and Weights

<b>Weight, net</b>	119.29 g   0.263 lb
--------------------	---------------------

## Regulatory Compliance/Certifications

Agency	Classification
CHINA-ROHS	Below maximum concentration value
ISO 9001:2015	Designed, manufactured and/or distributed under this quality management system
REACH-SVHC	Compliant as per SVHC revision on <a href="http://www.commscope.com/ProductCompliance">www.commscope.com/ProductCompliance</a>
ROHS	Compliant

# TA-DMHF

---

